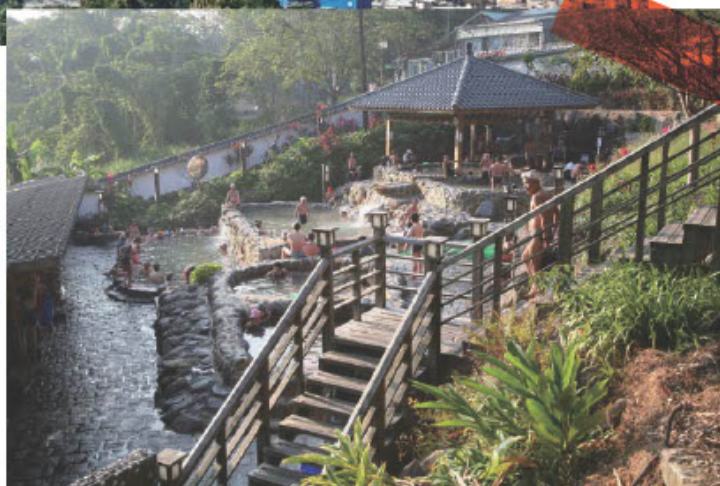


TAIPEI

 **IEEE**
ASRU 2023



Taiwan
THE HEART OF ASIA

Organized by



Sponsorship Program

Date: December 16-20, 2023

Venue: Asia Pacific Hotel Beitou



A. Introduction

The 2023 IEEE Automatic Speech Recognition and Understanding Workshop (ASRU 2023) is a biennial flagship event of the IEEE Speech and Language Processing Technical Committee. The workshop is held every two years and has a tradition of bringing together researchers from academia and industry in an intimate and collegial setting to discuss problems of common interest in automatic speech recognition and understanding. The workshop will be held on December 16 – 20, 2023, at Taipei, Taiwan (<http://www.asru2023.org/>). The conference will be an ‘in-person’ event, and we encourage all to join us for this wonderful event in Taiwan physically. However, we will also include virtual component to ensure impacted countries/individuals are still able to attend the workshop.

The ASRU 2023 Organizing Committee would like to invite your organization to support ASRU 2023. As a sponsor of this prestigious workshop, you will enjoy the opportunities to interact closely and network with worldwide leaders and researchers in academia and industry, as well as top-notch postgraduate students in the field. Your participation will enable you to demonstrate your innovative products and services and increase your visibility within the worldwide speech community/industry.

Your participation will help the organizers to maintain the affordable conference fees, to provide an exciting program, and to enable better worldwide participation and networking. Standard sponsorship packages are available for your consideration below. We also welcome proposals for customized sponsorship arrangements.

B. Conference Overview

- ✧ Date: December 16-20, 2023
- ✧ Venue: Asia Pacific Hotel Beitou
- ✧ Official Language: English
- ✧ Expected Attendees: 300-350
- ✧ Hosted by: National Tsing Hua University, Academia Sinica and The Association for Computational Linguistics and Chinese Language Processing (ACLCLP)
- ✧ Official Website : <http://www.asru2023.org/>

C. Conference Organizers

General Chairs:

Chi-Chun Lee (NTHU, Taiwan)
Yu Tsao (Academia Sinica, Taiwan)
Hsin-Min Wang (Academia Sinica, Taiwan)

Technical Program Chairs:

Jen-Tzung Chien (NYCU, Taiwan)
Engin Erzin (Koc University, Turkey)
Haizhou Li (NUS, Singapore)
Ming Li (Duke Kunshan University, China)
Jinyu Li (Microsoft, USA)
Ozlem Kalini (Facebook, USA)
Arun Narayanan (Google, USA)
Junichi Yamagishi (NII, Japan)

Panel and Invited Speaker Chairs:

Panayiotis Gerogiou (Apple, USA)
Chung-Hsien Wu (NCKU, Taiwan)
Dong Yu (Tencent AI Lab, USA)

Tutorial Chairs:

Hung-Yi Lee (NTU, Taiwan)
Toda Tomoki (Nagoya University, Japan)

Special Session and Demonstration Chairs:

Kyu Jeong Han (ASAPP, USA)
Naveen Kumar (Disney Research, USA)
Richard Tzong-Han Tsai (NCU, Taiwan)
Chia-Ching Wang (NCU, Taiwan)

Finance Chairs:

Berlin Chen (NTNU, Taiwan)
Ying-Hui Lai (NCTU, Taiwan)

Student Activity Chairs:

Yuan-Fu Liao (NTUT, Taiwan)
Jheng-Long Wu (SCU, Taiwan)

Publication Chairs:

Chen-Yu Chiang (NTPU, Taiwan)
Lung-Hao Lee (NCU, Taiwan)

Satellite Workshop Chairs:

Berrak Sisman (UT-Dallas, USA)
Rahul Gupta (Amazon, USA)
Liang-Chih Yu (YZU, Taiwan)

Publicity Chairs:

Fei Chen (SUSTech, China)
Nicholas Cummins (King's College London, UK)
Tai-Shih Chi (NYCU, Taiwan)
Xugang Lu (NICT, Japan)
Zheng-Hua Tan (Aalborg University, Denmark)

Sponsorship Chairs:

Chia-Hui Chang (NCU, Taiwan)
Wen-Hsiang Lu (NCKU, Taiwan)
Ming-Hsiang Su (SCU, Taiwan)
Lei Xie (NPU, China)

Local Arrangement Committee:

Chia-Ping Chen (NSYSU, Taiwan)
Kuan-Yu Chen (NTUST, Taiwan)
Jeih-Weih Hung (NCNU, Taiwan)
Yi-Chin Huang (NPTU, Taiwan)
Yi-Wen Liu (NTHU, Taiwan)
Jui-Feng Yeh (NCYU, Taiwan)

SLTC Liaison:

Yun-Nung Chen (NTU, Taiwan)
Cui, Xiaodong (IBM, USA)



International Liaison:

Nancy F. Chen (I2R, Singapore)

Tanaya Guha (University of Glasgow, UK)

Bin Ma (Alibaba Inc., Singapore)

Helen Meng (CUHK, Hong Kong)

Tatsuya Kawahara (Kyoto University, Japan)

Shinji Watanabe (CMU, USA)

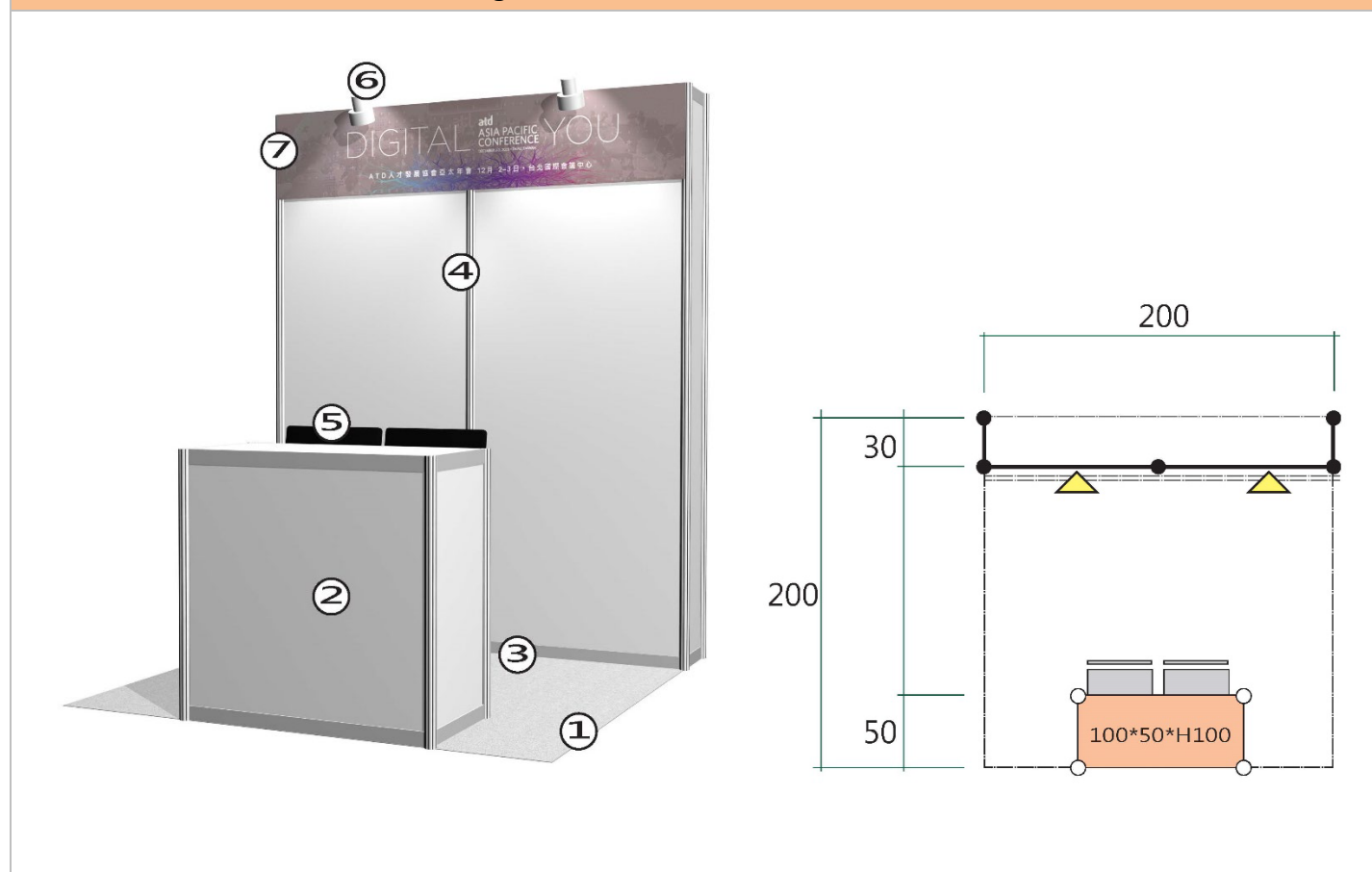
D. Tentative Program

	SAT Dec 16	SUN Dec 17	MON Dec 18	TUE Dec 19	WED Dec 20
8:30		Opening Ceremony			
9:00	Hackathon	Keynote Speech 1	Keynote Speech 3	Keynote Speech 4	Keynote Speech 5
9:30		Coffee Break			
10:00		Poster Session 1	Poster Session 3	Poster Session 5	Poster Session 6
10:30					
11:00					
11:30					
12:00	Break	Lunch			Invited Speech 5
12:30					Closing Ceremony
13:00	Hackathon	Keynote Speech 2	Invited Speech 2	Invited Speech 3	
13:30					
14:00		Invited Speech 1	Panel Session	Invited Speech 4	
14:30					
15:00					
15:30		Coffee Break			
16:00	Registration Open	Poster Session 2	Poster Session 4	Demonstration Session	
16:30					
17:00					
17:30				Coach Transfer for Banquet	
18:00	Welcome Reception	Pre-dinner Night Market Fun			
18:30					
19:00					
19:30					
20:00				Banquet	
20:30					
21:00					

E. Exhibition Overview

Item	Description
Booth Size	2M x 2M
Fascia Board	Company names will be shown in vinyl cut out letters (200 x 40 cm)
Lighting	2 x 10W Spotlights
Power	1 x 110V/500W socket outlet
Flooring	Carpet in the color of gray will be installed
Furniture	2 x Folding Chairs & 1 x Lockable Cupboard (100 x 50 x 100h cm)

Diagram on Standard Exhibition Booth



※ Cleaning is not included with your shell scheme.

F. Sponsorship Packages

	Platinum	Gold	Silver	Booth
	\$ 10,000	\$8,000	\$5,000	\$2,000
Standard Booth (2Mx2M)	2	1	1	1
Conference Free Entry Pass (Lunch is included)	3	2	1	—
Exhibitor Pass (Lunch is included)	4	2	2	2
Gala Dinner Entry Pass (By Invitation Only)	10	6	2	—
Company logo on ASRU 2023 website with link to company official website	V	V	V	V
Company logo on program book	V	V	V	V
Company logo on venue decoration	V	V	V	V
An Advertisement of Program Book (A4)	Back cover spread	Inside Front Spread/ Inside Back Spread	A4 Size Inside spread	—
Company Logo on Conference Bag	V	—	—	—
Company Logo on Identification Ribbon	V	V	—	—
Flyer Insert in Conference Bag (Provided by sponsor)	1	1	1	—
Gala Dinner Speech	V	—	—	—

Customized Sponsorship Opportunities

Other opportunities such as sponsoring student travel grants, conference souvenirs, and special events could potentially be arranged on a case-by-case basis. Note that these arrangements must be approved by the organizing committee.

Application Procedure

To support ASRU 2023, your organization may contact us at your earliest convenience. To better facilitate your request concerning sponsorship packages, you are encouraged to submit your application as early as possible and by **September 1, 2023** in all cases.

G. Singular Sponsorship

Following benefits are provided:

- ※ Company logo on ASRU 2023 website with link to company official website

(1) Advertisement

- ◆ The size will be A4 full-color-size

Item	Price
Inside spread (A4)	\$1,000
Full A3 double-page spread	\$2,000

(2) Bag Insert

- ◆ This item provides the sponsor with flyer insert in conference bag. (Based on A4 single page)
- ◆ Flyer will be printed by the sponsor

Item	Price
Bag Insert	\$1,000/per page

(3) Company Logo on Item (Sole-Sponsorship)

- ◆ Each item is exclusive for one sponsor

Item	Price
Pen	\$2,000
Notebook Back cover	\$2,000
Conference Folder	\$2,000
Conference USB	\$2,000

(4) Company Logo on Decoration

Item	Price
Coffee Break (one slot)	\$1,000
Lunch (one slot)	\$2,000
Welcome Party	\$3,000
Gala Dinner	\$3,500

H. Sponsorship Reply Form

● General Information

Company Name (Chinese)	
Company Name (English)	
Address	
Contact person	
Tel (Office)/(Mobile)	
Email	
Receipt Title / VAT	
Website	

● Content of Sponsorship

Package Sponsorship	
Sponsorship Option	<input type="checkbox"/> Platinum Sponsorship \$10,000 <input type="checkbox"/> Gold Sponsorship \$8,000 <input type="checkbox"/> Silver Sponsorship \$5,000 <input type="checkbox"/> Bronze \$2,000
Other Sponsorship Items	
Please specify item and price	Ex. Conference Pen \$6,000
Total Amount	\$

Sponsor Approval Signature		Company Stamp
Date :	Signature of Company Representative	
Name :	Position :	

● **Payment Details**

Remittance Information	<ul style="list-style-type: none"> ◆ Bank Name: ◆ Bank Address: ◆ SWIFT Code: ◆ Beneficiary Name: ◆ Account No.:
Payment Method	<ul style="list-style-type: none"> ◆ Deposit (20% of the total amount): Please pay the deposit within 10 days after signing the contract. ◆ Balance Payment (The total amount of deducting the deposit): Please pay the balance payment before September 15, 2023
Company Introduction	<p>※Please provide short introduction of company which will be put on ASUR 2023 Website. (no more than 200 words)</p>

I. Contact Information

ASRU 2023 Secretariat

Ms. Lia Cheng

Tel: +886-2-2798-8329 Ext. 17 | Email: sponsor@asru2023.org